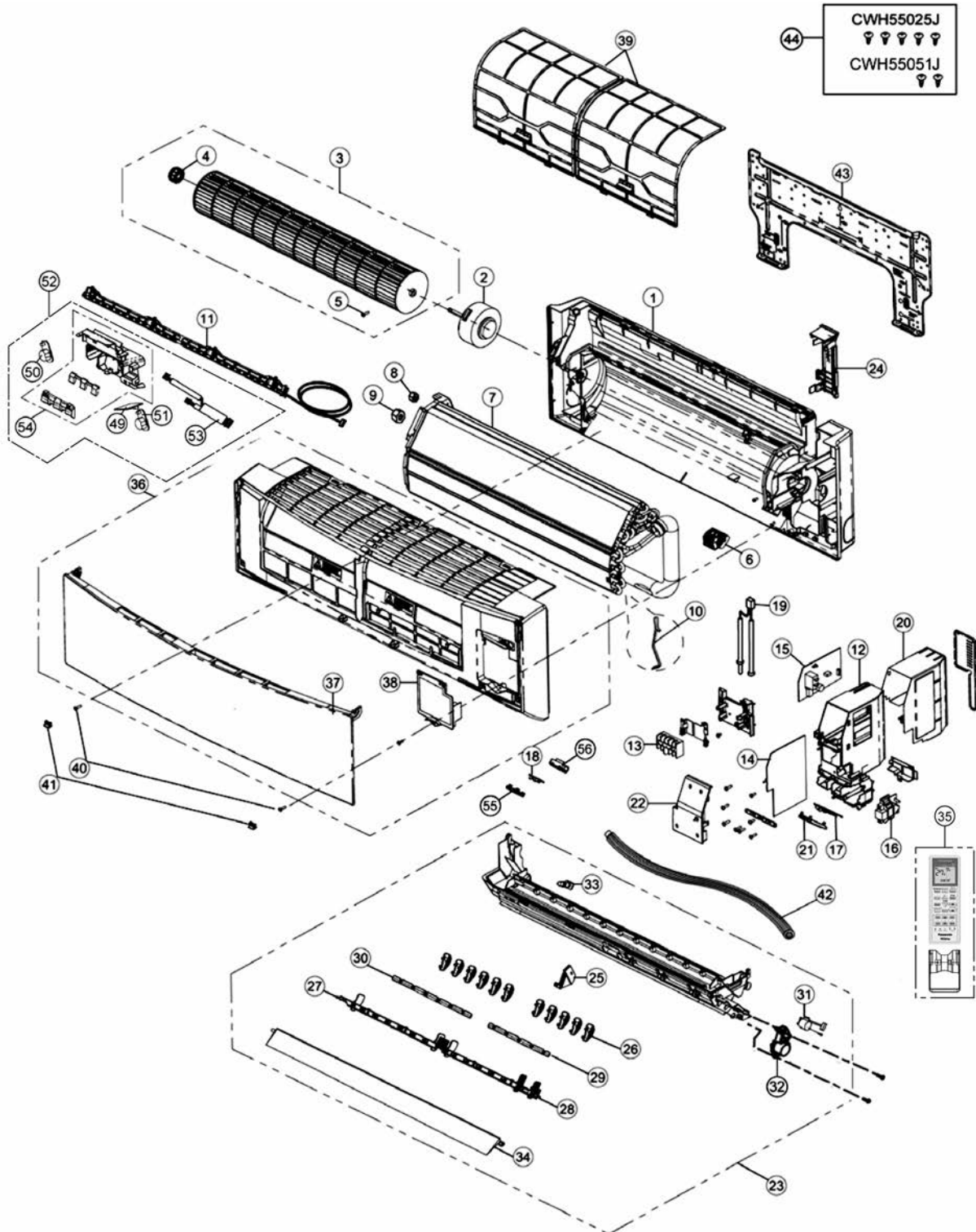


18. Exploded View and Replacement Parts List

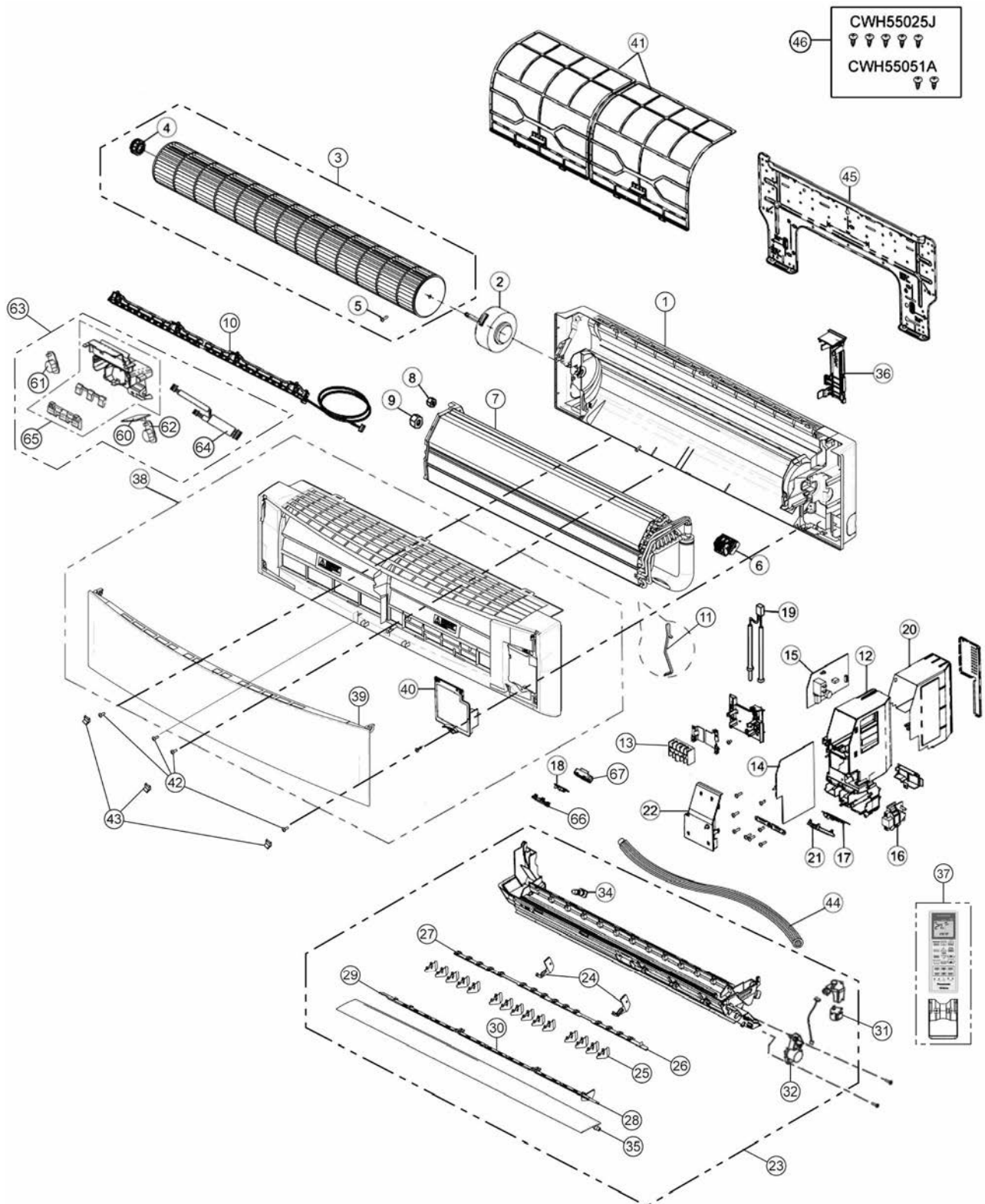
18.1 Indoor Unit

18.1.1 CS-E7MKR CS-E9MKR CS-E12MKR CS-E15MKR



Note
 The above exploded view is for the purpose of parts disassembly and replacement.
 The non-numbered parts are not kept as standard service parts.

18.1.2 CS-E18MKR CS-E21MKR



Note

The above exploded view is for the purpose of parts disassembly and replacement.
The non-numbered parts are not kept as standard service parts.