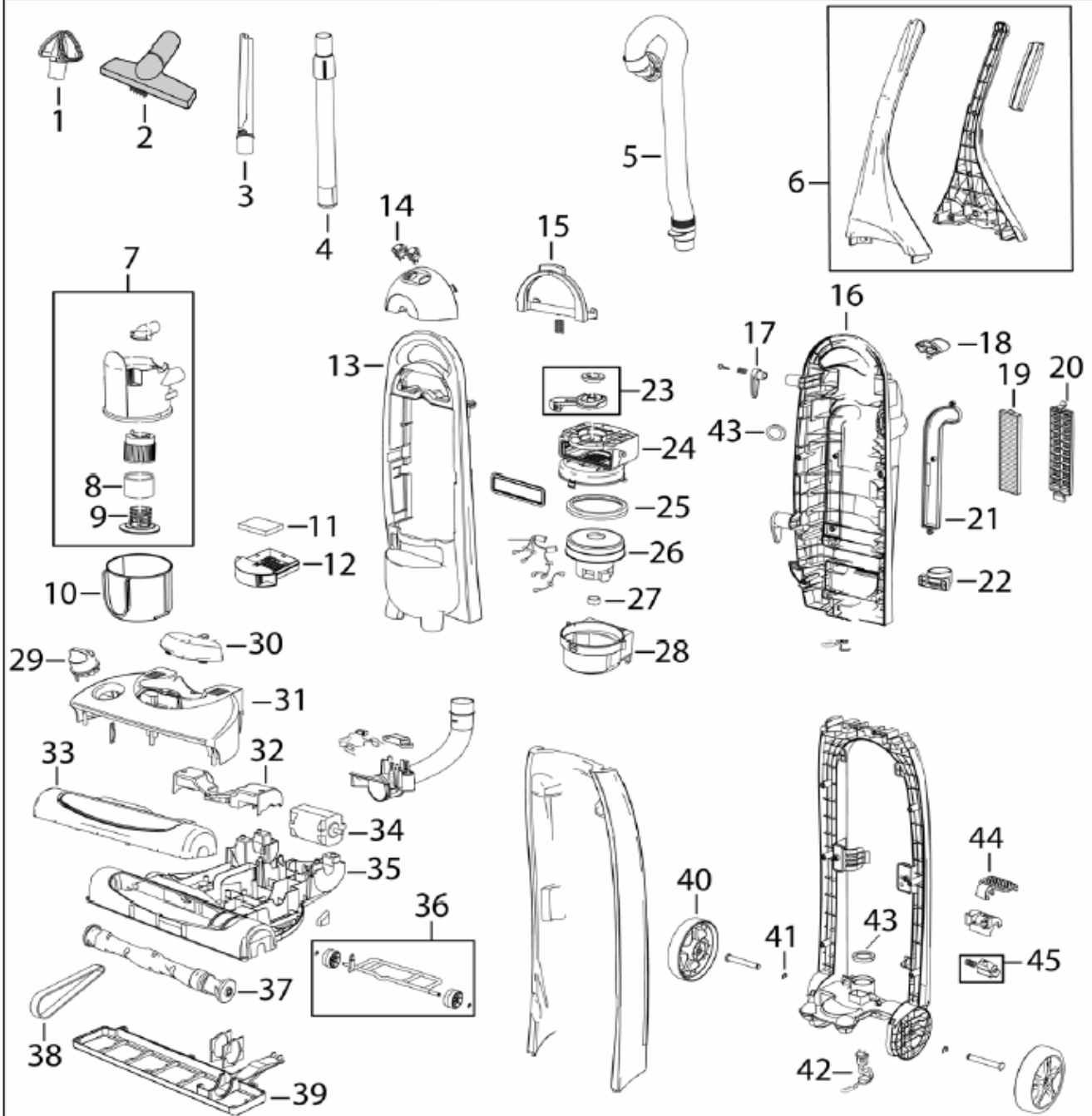




Lift-Off™ Bagless

Models 3750E, F, G, J, K, L, NY



BISSELL Homecare Inc. (U.S)
 BISSELL Homecare (Overseas) Inc. (U.K.)
 BISSELL Middle East & Africa (U.A.E.)
 E.D. Oates Pty. Ltd. (Australia)
 Parex Industries Ltd (New Zealand)

Issued: March 2006
 Revised: April 2007
 © 2007 BISSELL Homecare Inc.