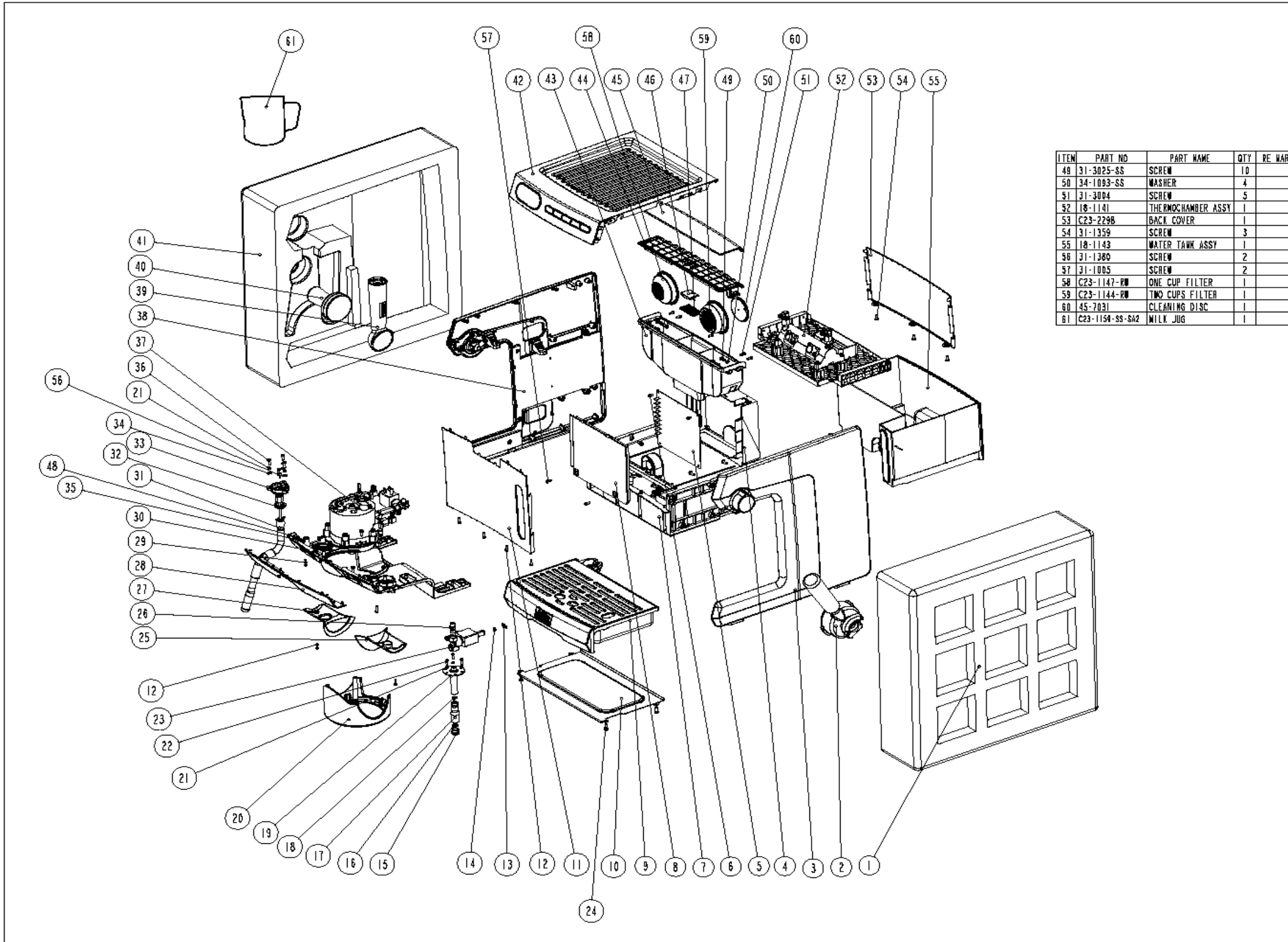


EXPLODED VIEW DRAWING

TOLERANCE UNLESS							
Dimension	-8	8-25	25-50	50-100	100-200	200-300	300-
Tolerance	±0.08	±0.1	±0.12	±0.15	±0.2	±0.3	±0.4
ANGLE TOLERANCE ±2.0°							
REVISION							
Mark	Description	Initiated by	Approved by	Date			
1	TOOLING RELEASE			24/05/12			

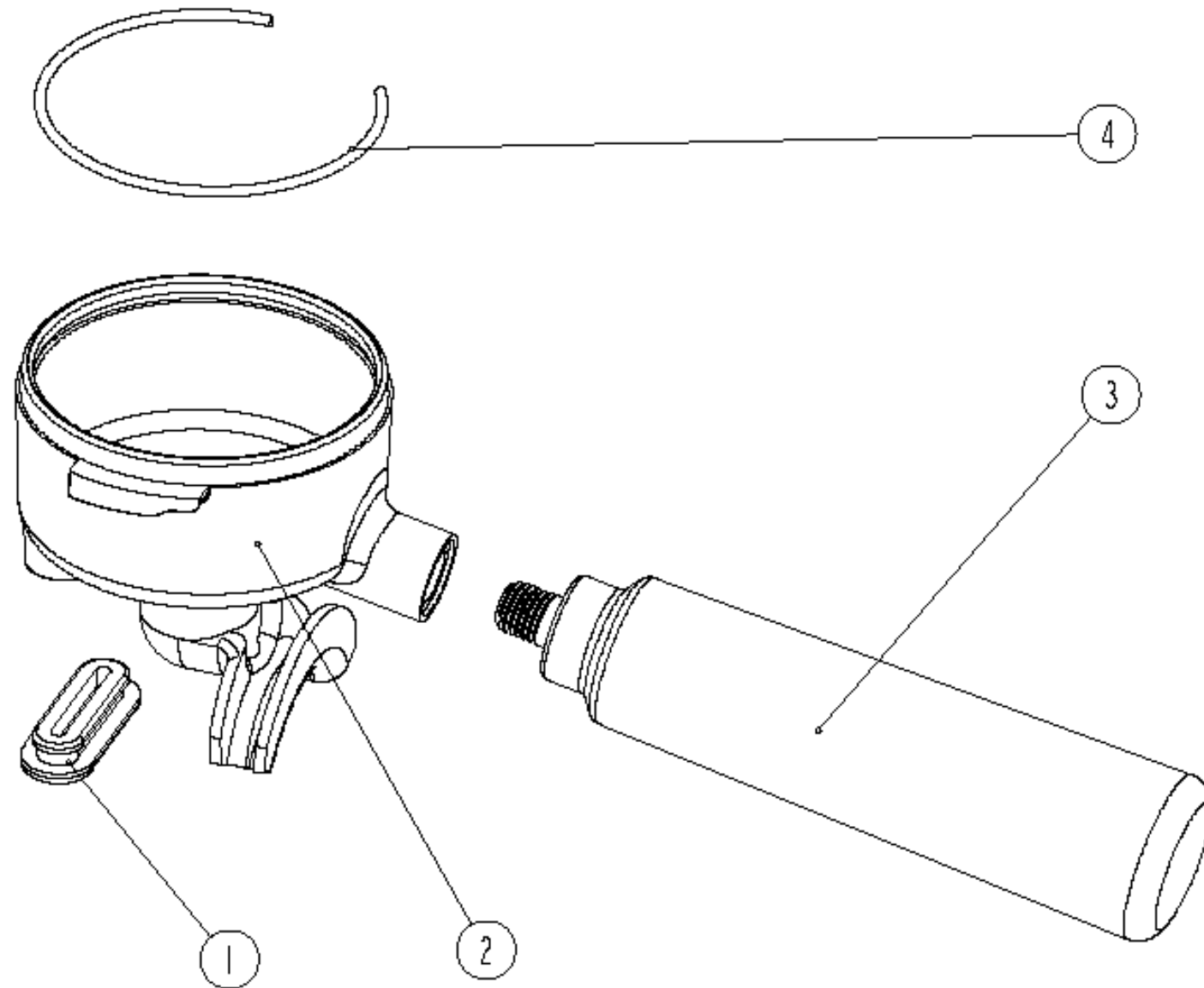


ITEM	PART NO	PART NAME	QTY	RE MARK	ITEM	PART NO	PART NAME	QTY	RE MARK
48	31-3025-SS	SCREW	10		1	72-7523	POLYFOAM RIGHT	1	
50	34-1093-SS	WASHER	4		2	17-8709	FILTER CRADLE ASSY	1	
51	31-3004	SCREW	5		3	18-1138	R PANEL ASSY	1	
52	18-1141	THERMOCHAMBER ASSY	1		4	63-2058	MAIN PCB BOX	1	
53	C23-2298	BACK COVER	1		5	17-8545	MAIN PCB	1	
54	31-1359	SCREW	3		6	31-3001	SCREW	2	
55	18-1143	WATER TANK ASSY	1		7	18-1144	BOTTOM BASE ASSY	1	
56	31-1380	SCREW	2		8	63-2058	MAIN PCB BOX COVER	1	
57	31-1005	SCREW	2		9	18-1140	DRIP TRAY ASSY	1	
58	C23-1147-RW	ONE CUP FILTER	1		10	C23-2302	SS BASE	1	
59	C23-1144-RW	TWO CUPS FILTER	1		11	C23-2299	FRONT WRAP	1	
60	45-7031	CLEANING DISC	1		12	31-3001-SS	SCREW	6	
61	C23-1154-SS-SA2	MILK JUG	1		13	C23-2248	CLIP	1	

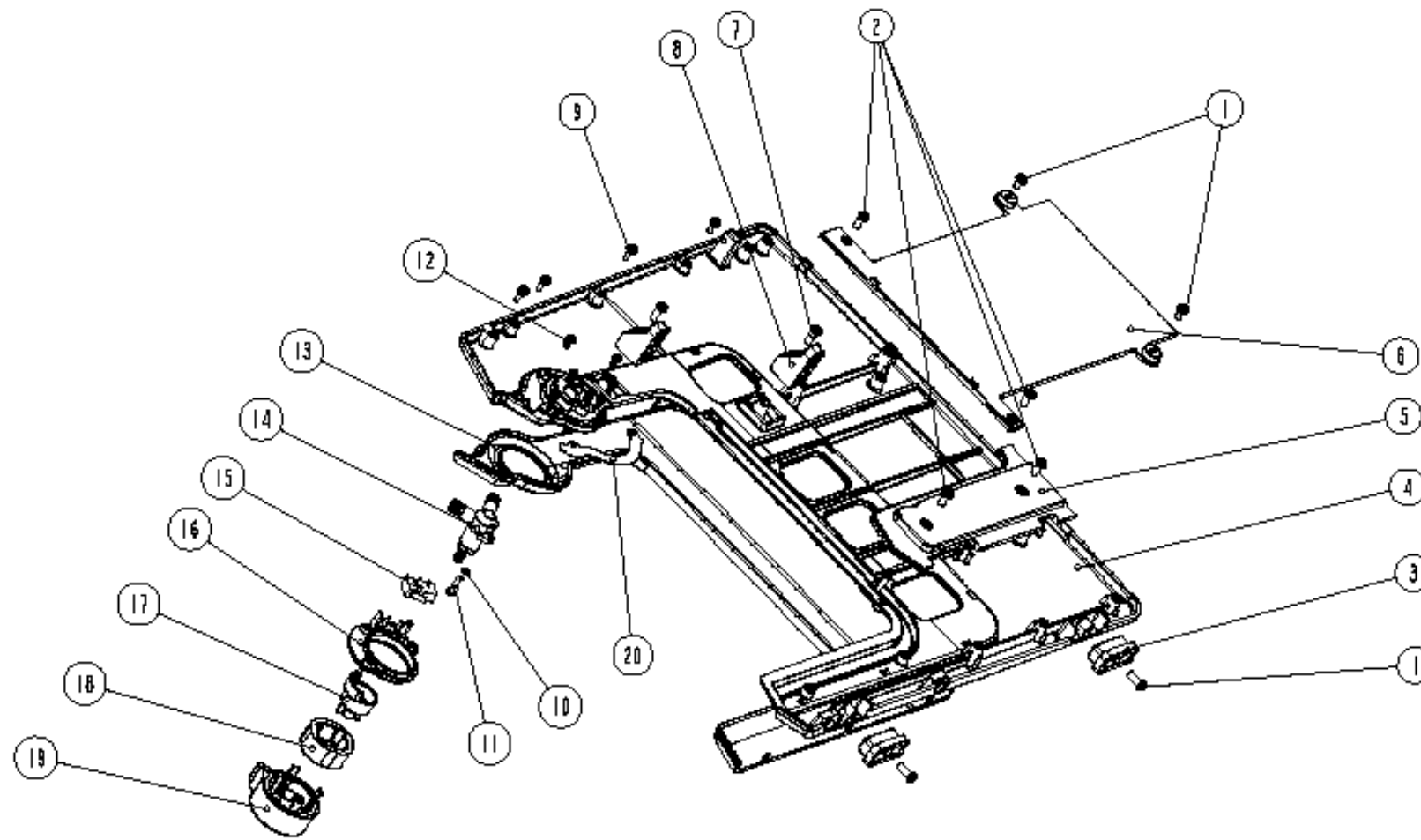
14	45-6202	O RING	1	
15	C23-1204-CP	HOT WATER NOZZLE	1	
16	45-6360	O RING	1	
17	C23-1255-CP	STEAM ARM LOWER	1	
18	45-6122	O RING	1	
19	C23-1138-CP	HOT WATER ARM	1	
20	C24-6015-CP	FRONT COLLAR	1	
21	34-2002	SPRING WASHER	3	
22	31-1905	SCREW	3	
23	50-4028-1	SOLENOID VALVE	1	
24	31-1357	SCREW	4	
25	63-4020	TUBE COVER RIGHT	1	
26	C23-1123	G1/8 TO M8 ADAPTER	1	
27	63-4019	TUBE COVER LEFT	1	
28	C23-2296	CASTING WRAP	1	
29	31-1139	SCREW	2	
30	C24-6016	CASTING BRACKET	1	
31	18-1145	STEAM ARM ASSY	1	
32	63-2064	LOWER SEAL	1	
33	63-2060	UPPER COVER	1	
34	34-1018	WASHER	3	
35	31-3025	SCREW	3	
36	31-1104	SCREW	3	
37	18-1142	THERMOBLOCK ASSY	1	
38	18-1137	L PANEL ASSY	1	
39	17-8646	SPOON ASSY	1	
40	18-8154	TAMPER ASSY	1	
41	72-7522	POLYFOAM LEFT	1	
42	18-1139	TOP COVER ASSY	1	
43	63-4022	FUNNEL	1	
44	63-4021	FUNNEL COVER	1	
45	C23-2297	LID COVER WRAP	1	
46	63-9042	CLEANING PIN	1	
47	63-2042	FILTER	1	
48	34-2014	SPRING WASHER	2	

DOCUMENT NO.	3508E-SAI	SCALE	---	UNIT	---
PART NO.	3508E-SAI	DESIGNED BY	NAM		
		DATE	24/05/12		
DRAWING OR PART NAME	EM7000 EXPLODE	DRAWN BY	NAM		
		DATE	24/05/12		
MATERIAL	---	CHECKED BY	CALVIN		
		DATE	24/05/12		
FINISH	---	APPROVED BY	CALVIN		
		DATE	24/05/12		
FILE DIR	3508E-SAI_06_120524				
G. E. W Corporation LTD.					

TOLERANCE UNLESS							
Dimension	$-k$	8-25	25-50	50-100	100-200	200-300	300+
Tolerance	± 0.04	± 0.1	± 0.12	± 0.15	± 0.2	± 0.3	± 0.4
ANGLE TOLERANCE $\pm 0.2^\circ$							
REVISION							
Part	Description	Initiated by	Approved by	Date			
	INITIAL RELEASE						

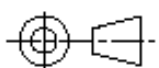


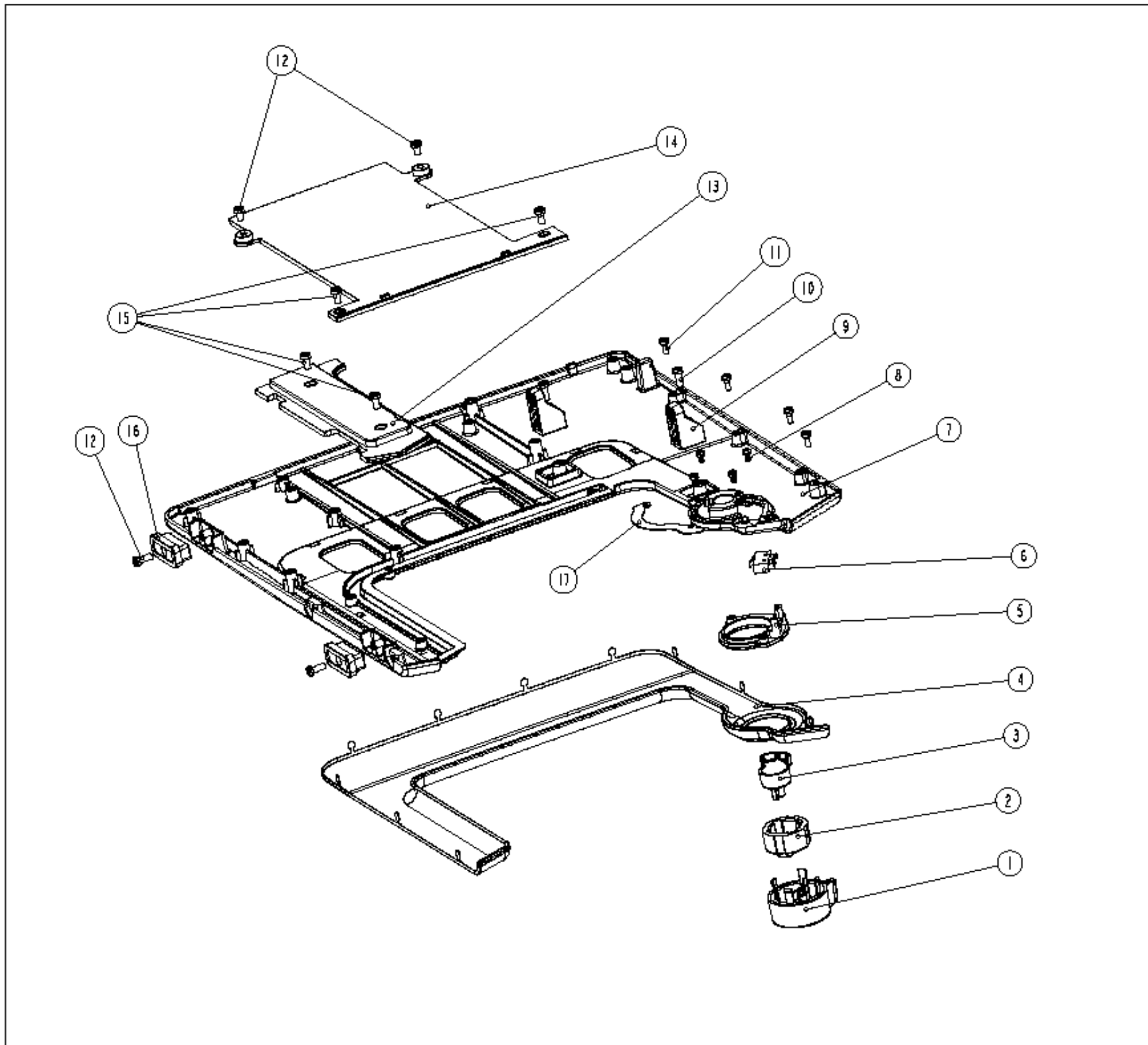
ITEM	PART NO	PART NAME	QTY	RE MARK		
1	45-1103	RUBBER PAD	1			
2	17-8798-1-SS	DUAL SPOUT ASSY	1			
3	C3-4001-1	HANDLE	1			
4	C23-7453VB-SS	FILTER CRADLE WIRE	1			
DOCUMENT NO	17-8799	SCALE	0.333	UNIT	mm	
PART NO.	17-8799	DESIGNED BY	WTE		DATE	NAM 06/06/12
DRAWING OR PART NAME	FILTER CRADLE ASSY	DRAWN BY	WTE		DATE	NAM 06/06/12
MATERIAL	---	CHECKED BY	WTE		DATE	CALVIN 06/06/12
FINISH	---	APPROVED BY	WTE		DATE	CALVIN 06/06/12
FILE DIR	17-8798_00_120606					
			G.E.W Corporation LTD.			



TOLERANCE UNLESS							
Dimension	-8	8-25	25-50	50-100	100-200	200-300	300-
Tolerance	±0.08	±0.1	±0.12	±0.15	±0.2	±0.3	±0.4
ANGLE TOLERANCE ±0.2°							
REVISION							
Mark	Description	Initiated by	Approved by	Date			
△	INITIAL RELEASE			23/05/12			

ITEM	PART NO	PART NAME	QTY	RE MARK
1	31-1357	SCREW	4	
2	31-1099	SCREW	4	
3	45-6369	FOOT	2	
4	C24-2303-G01	L CASTING PANEL	1	
5	C3-4012G79	TRAY GUIDER L	1	
6	C3-5035G79	INNER PANEL L	1	
7	31-1358	SCREW	2	
8	C3-9048	CONNECTOR	2	
9	31-1021	SCREW	4	
10	34-2002	SPRING WASHER	1	
11	31-1139	SCREW	1	
12	31-3001	SCREW	5	
13	C23-2294	L PANEL WRAP	1	
14	50-2081	STEAM REGULATOR	1	
15	089-81103-7	MICRO-SWITCH	1	
16	C3-4017	KNOB RING	1	
17	C3-4014	KNOB HOLDER	1	
18	45-1010	CROSS HOLDER	1	
19	C3-4016	KNOB	1	
20	C23-3111	FIXING BAR	1	

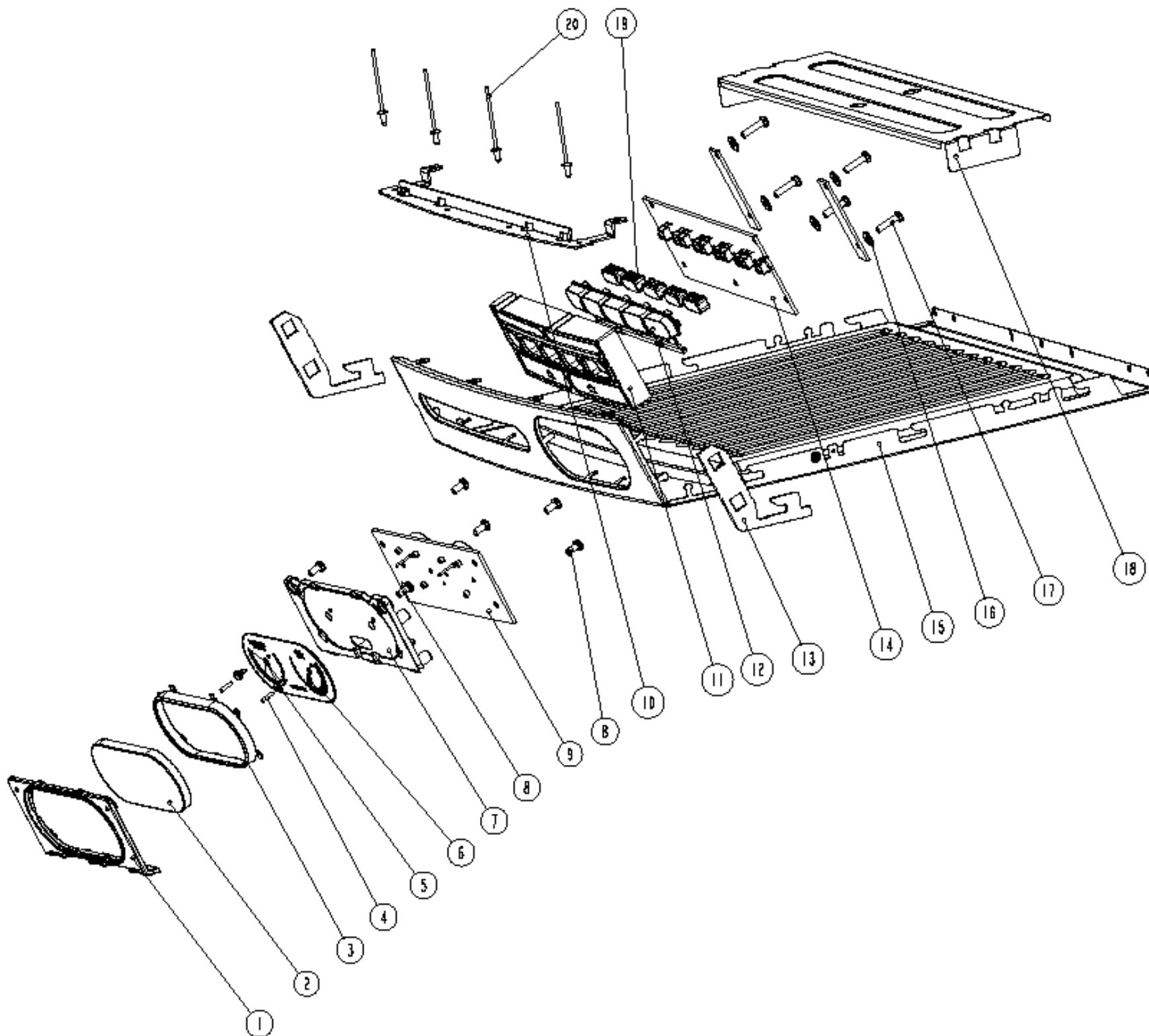
DOCUMENT NO.	18-1137	SCALE	---	UNIT	---
PART NO.	18-1137	DESIGNED BY DATE	NAN 23/05/12		
DRAWING OR PART NAME	L PANEL EXPLODE	DRAWN BY DATE	NAN 23/05/12		
MATERIAL	---	CHECKED BY DATE	CALVIN 23/05/12		
FINISH	---	APPROVED BY DATE	CALVIN 23/05/12		
FILE DIR	18-1137_DO_120523				
					
G.E.W Corporation LTD.					



TOLERANCE UNLESS							
Dimension	-8	8-25	25-50	50-100	100-200	200-300	300-
Tolerance	±0.08	±0.1	±0.12	±0.15	±0.2	±0.3	±0.4
ANGLE TOLERANCE ±0.2°							
REVISION							
Part	Description	Initiated by	Approved by	Date			
	TOOLING RELEASE			23/05/12			

ITEM	PART NO	PART NAME	QTY	RE MARK
1	C3-4016	KNOB	1	
2	45-1010	CROSS HOLDER	1	
3	C3-4014	KNOB HOLDER	1	
4	C23-2295	R PANEL WRAP	1	
5	C3-4017	KNOB RING	1	
6	D89-81103-07	MICRO-SWITCH	1	
7	C24-2304-G01	R CASTING PANEL	1	
8	31-3091	SCREW	5	
9	C3-9048	CONNECTOR	2	
10	31-1358	SCREW	2	
11	31-1021	SCREW	4	
12	31-1357	SCREW	4	
13	C3-4013G79	TRAY GUIDER R	1	
14	C3-5036G79	INNER PANEL R	1	
15	31-1099	SCREW	4	
16	45-6369	FOOT	2	
17	C23-3111	FIXING BAR	1	

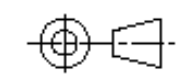
DOCUMENT NO.	18-1138	SCALE	---	UNIT	---
PART NO.	18-1138	DESIGNED BY DATE	HAM 23/05/12		
DRAWING OR PART NAME	R PANEL EXPLADE	DRAWN BY DATE	HAM 23/05/12		
MATERIAL	---	CHECKED BY DATE	CALVIN 23/05/12		
FINISH	---	APPROVED BY DATE	CALVIN 23/05/12		
FILE DIR	18-1138_00_120523				
G.E.W Corporation LTD.					



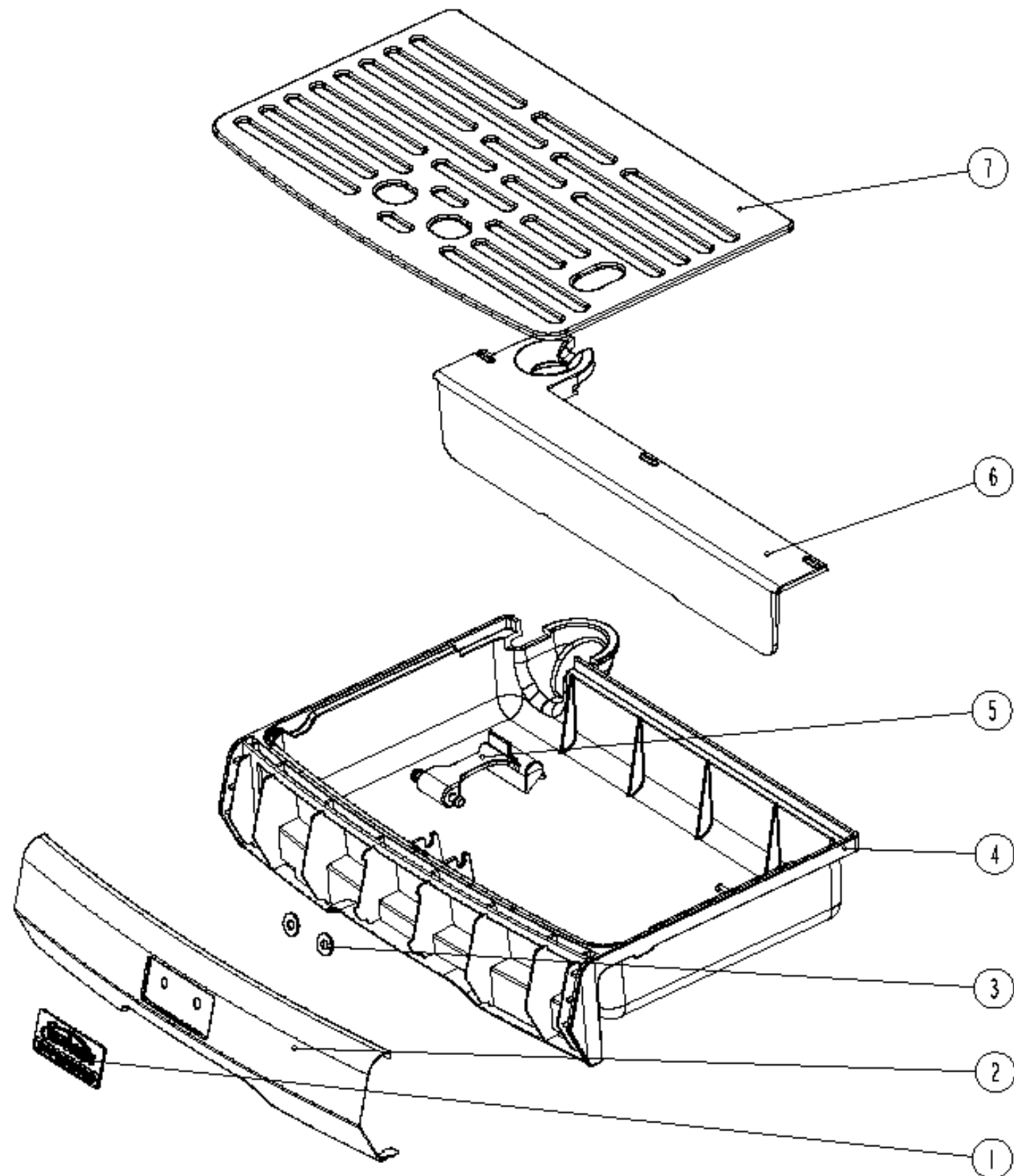
TOLERANCE UNLESS							
Dimension	-8	8-25	25-50	50-100	100-200	200-300	300-
Tolerance	±0.08	±0.1	±0.12	±0.15	±0.2	±0.3	±0.4
ANGLE TOLERANCE ±0.2°							
REVISION							
Mark	Description	Initiated by	Approved by	Date			
△	TOOLING RELEASE			24/05/12			

ITEM	PART NO	PART NAME	QTY	RE MARK
1	C3-5033	DIAL LENS	1	
2	C3-9131	LENS WINDOWS	1	
3	C23-2329	LENS RING	1	
4	C23-1126	STOPPER PIN	2	
5	C23-1813	POINTER	2	
6	7T-0125	NYLAR SHEET	1	
7	C3-5032	DIAL PCB BOX	1	
8	31-3001	SCREW	6	
9	1T-8547	DIAL PCB	1	
10	C23-6032	MOUNT BRACKET	1	
11	C3-5029	BUTTON PCB BOX	1	
12	C3-5030WB4	BUTTONS	1	
13	C23-3115	FIXING BAR	2	
14	1T-8546	BUTTON PCB	1	
15	C23-2293	TOP COVER	1	
16	34-1018	WASHER	5	
17	31-1031	SCREW	5	
18	C23-6031	TOP HEAT SHIELD	1	
19	45-6376	RUBBER LENS	5	
20	35-4065	RIVET	4	

DOCUMENT NO.	18-1139	SCALE	---	UNIT	---
PART NO.	18-1139	DESIGNED BY DATE	NAM 24/05/12		
DRAWING OR PART NAME	TOP COVER EXPLODE	DRAWN BY DATE	NAM 24/05/12		
MATERIAL	---	CHECKED BY DATE	CALVIN 24/05/12		
FINISH	---	APPROVED BY DATE	CALVIN 24/05/12		
FILE DIR	18-1139_00_120524				



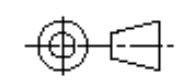
G.E.W Corporation LTD.



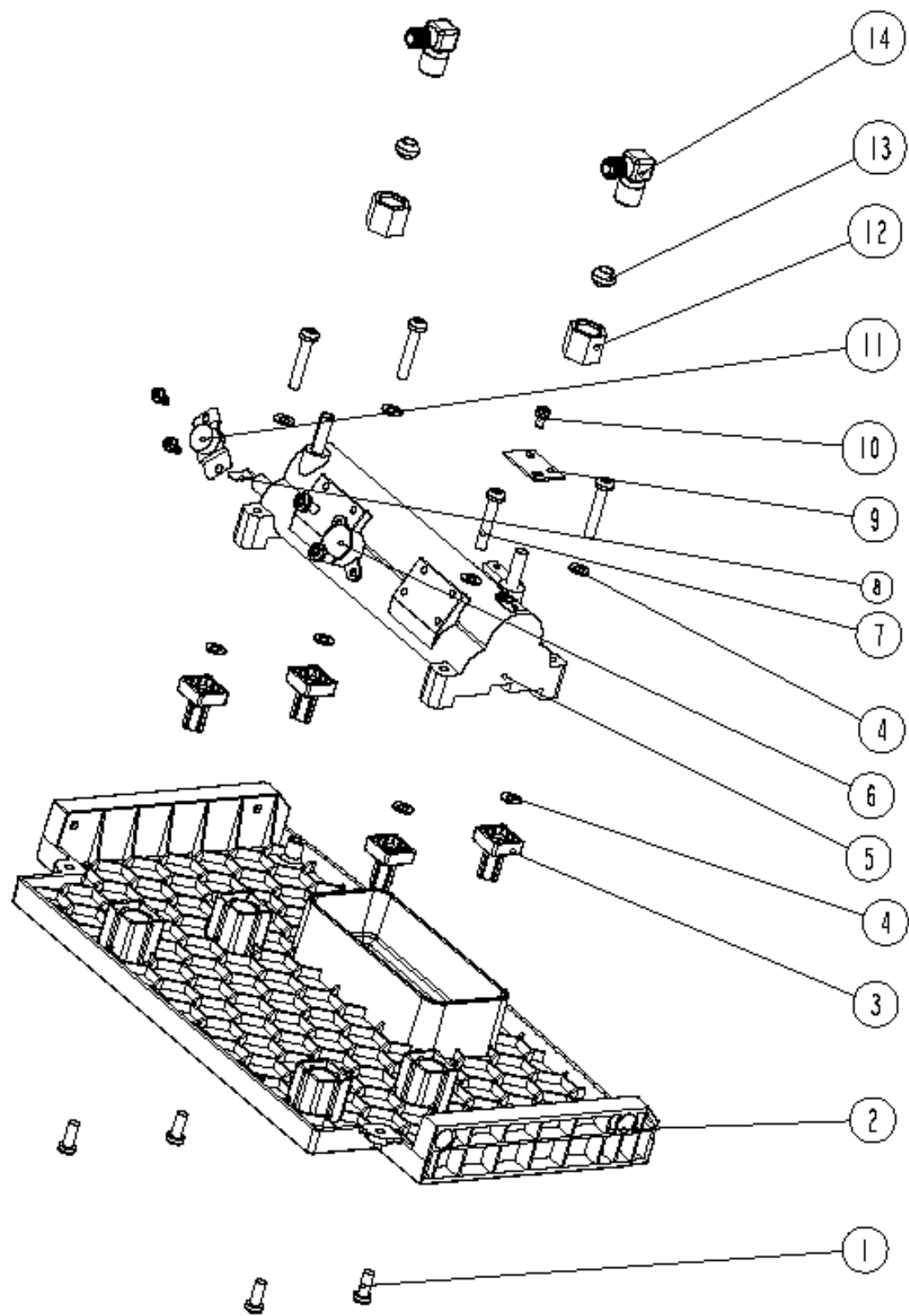
TOLERANCE UNLESS							
Dimension	-8	8-25	25-50	50-100	100-200	200-300	300+
Tolerance	±0.08	±0.1	±0.12	±0.15	±0.2	±0.3	±0.4
ANGLE TOLERANCE ±2.0°							
REVISION							
Mark	Description	Initiated by	Approved by	Date			
	TOOLING RELEASE			23/05/12			

ITEM	PART NO	PART NAME	QTY	RE MARK
1	C3-2063625	BADGE	1	
2	C23-4001	TRAY WRAP	1	
3	34-7016	SELF-LOCK WASHER	2	
4	C3-4029679	DRIP TRAY	1	
5	C3-9043R17	FLOAT	1	
6	C3-4028679	BAFFLE WALL	1	
7	C23-4002	TRAY PLATE	1	

DOCUMENT NO.	18-1140	SCALE	----	UNIT	----
PART NO.	18-1140	DESIGNED BY	NAM		
		DATE	23/05/12		
DRAWING OR PART NAME	DRIP TRAY EXPLODE	DRAWN BY	NAM		
		DATE	23/05/12		
MATERIAL	----	CHECKED BY	CALVIN		
		DATE	23/05/12		
FINISH	----	APPROVED BY	CALVIN		
		DATE	23/05/12		
FILE DIR.	18-1140_00_120523				



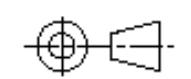
G.E.M. Corporation LTD.



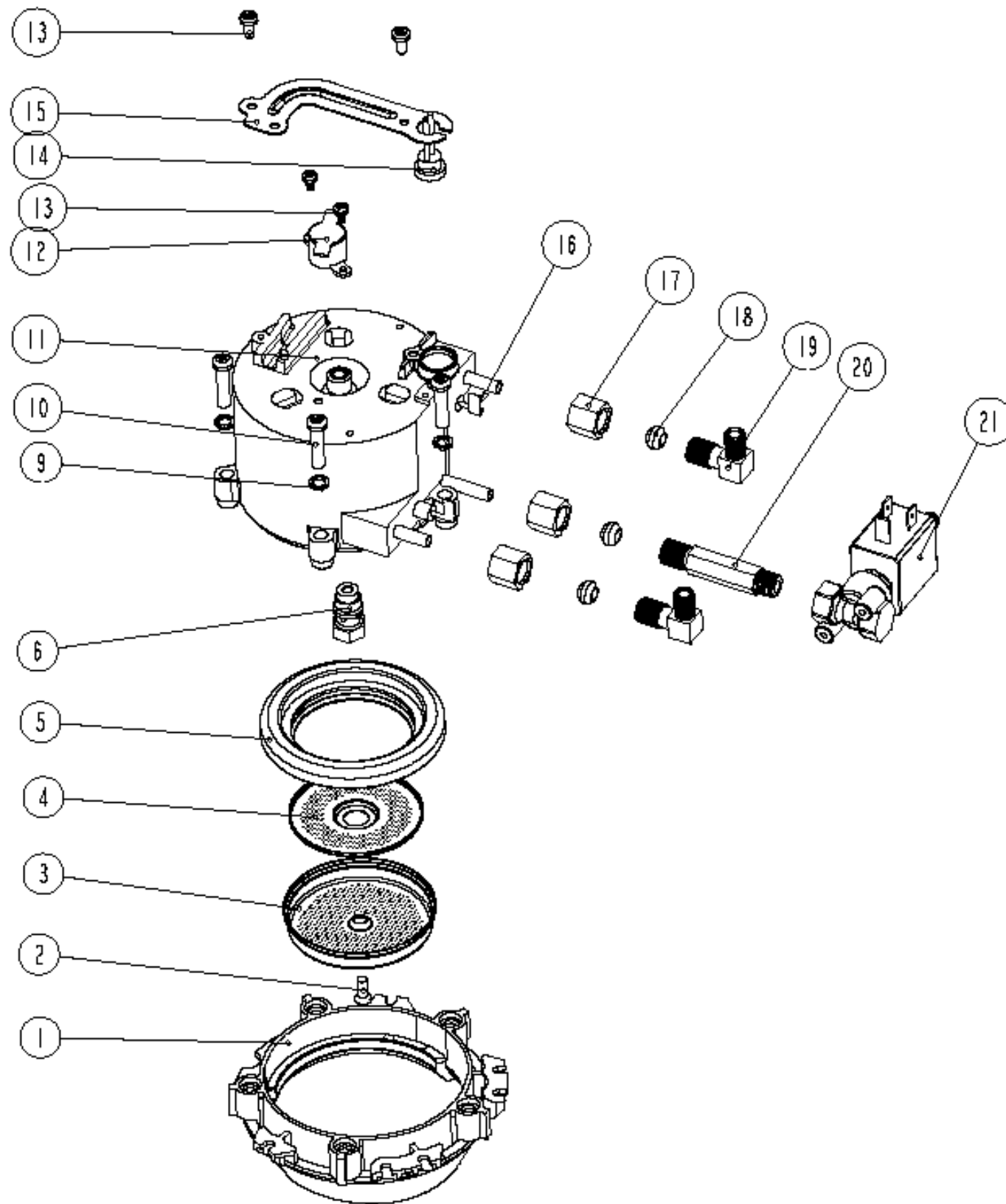
TOLERANCE UNLESS							
Dimension	<4	4-25	25-50	50-100	100-200	200-300	300-
Tolerance	±0.04	±0.1	±0.12	±0.15	±0.2	±0.3	±0.4
ANGLE TOLERANCE ±0.2°							
REVISION							
Wrt	Description	Initiated by	Approved by	Date			
△	INITIAL RELEASE			23/05/12			

ITEM	PART NO	PART NAME	QTY	RE MARK
1	31-3025	SCREW	4	
2	C3-40236T9	THERMOCHAMBER BASE	1	
3	C3-4024	FIX BLOCK	4	
4	34-1043	FIBRE WASHER	8	
5	C24-2007	THERMOCHAMBER	1	
6	50-8001	THERMOSTAT	1	
7	31-3080	SCREW	4	
8	36-3018	TAB 0.8MM	2	
9	C23-7457-G	THERMO FISH BRACKET	1	
10	31-1142	SCREW	5	
11	130-02260-1VB	STEAM HTC	1	
12	C23-8011	WID NUT	2	
13	C23-8012	SLEEVE	2	
14	C23-8009VC	INTERLOCK ADAPTER	2	

DOCUMENT NO	18-1141	SCALE	---	UNIT	---
PART NO.	18-1141	DESIGNED BY	NAM		
		DATE	23/05/12		
DRAWING OR PART NAME	THERMOCHAMBER EXPLODE	DRAWN BY	NAM		
		DATE	23/05/12		
MATERIAL	---	CHECKED BY	CALVIN		
		DATE	23/05/12		
FINISH	---	APPROVED BY	CALVIN		
		DATE	23/05/12		
FILE DIR	18-1141_00_120523				



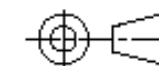
G.E.W Corporation LTD.



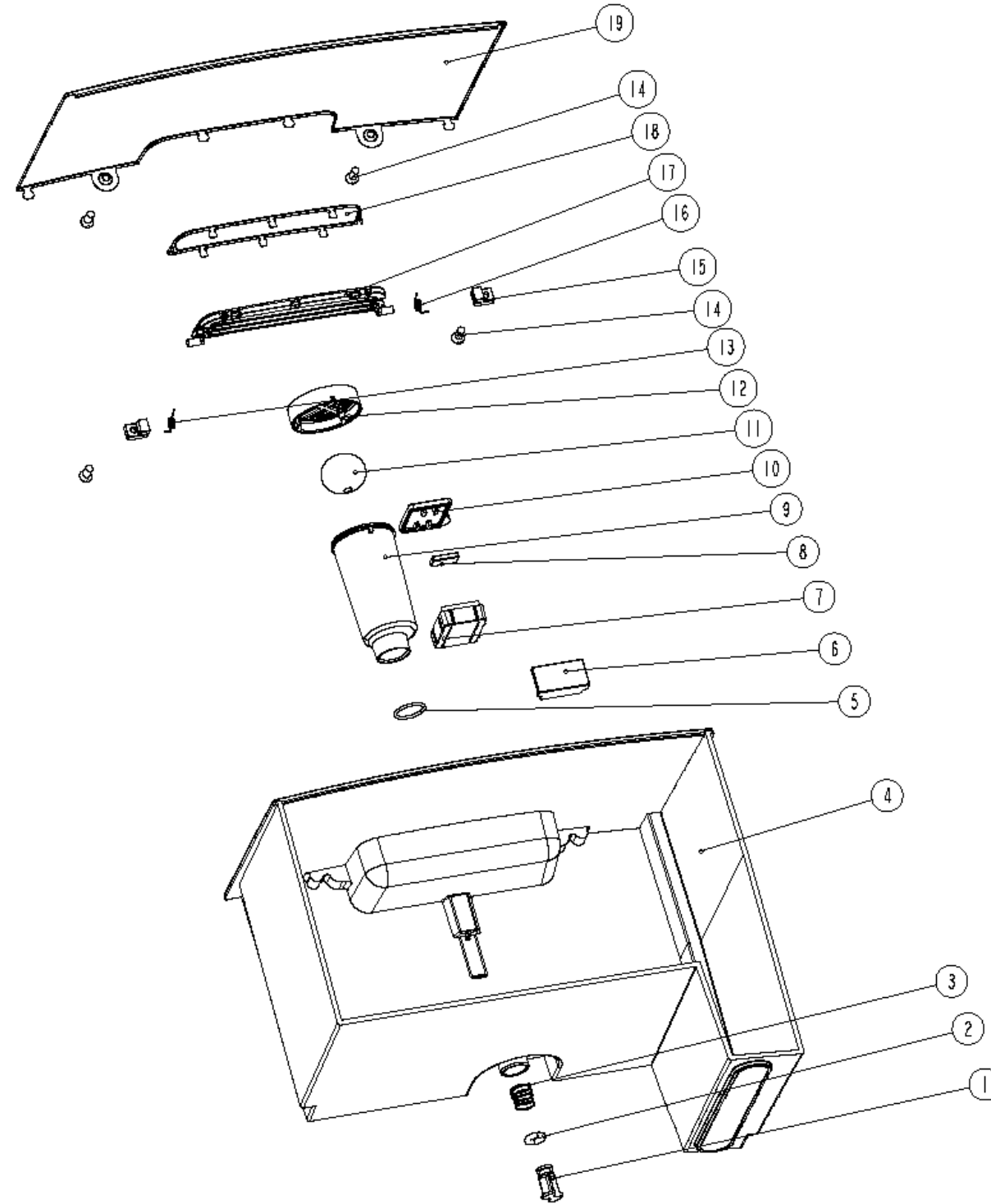
TOLERANCE UNLESS							
Dimension	-8	8-25	25-50	50-100	100-210	210-300	300-
Tolerance	±0.08	±0.1	±0.12	±0.15	±0.2	±0.3	±0.4
ANGLE TOLERANCE ±2.0°							
REVISION							
Wrt	Description	Initiated by	Approved by	Date			
△	INITIAL RELEASE			23/05/12			

ITEM	PART NO	PART NAME	QTY	RE MARK
1	C23-8075-CP	COLLAR	1	
2	31-1199	SCREW	1	
3	C23-1158VD-SS3	FILTER LOWER	1	
4	C23-8062-1	FILTER UPPER	1	
5	45-7030VB	SHOWER HEAD SEAL	1	
6	C23-3104-1	CONNECT SCREW	1	
9	34-2023	SPRING WASHER	5	
10	31-6030-1	SCREW	5	
11	C23-3101VJ-601-FR	THERMOBLOCK	1	
12	56-8000VB	THERMOSTAT	1	
13	31-1142	SCREW	4	
14	130-02505-25	COFFEE NTC	1	
15	C23-3112-G	PUSH CLAMP	1	
16	36-3018	TAB 0.8	2	
17	C23-8011	NUT	3	
18	C23-8012	SLEEVE	3	
19	C23-8009VC	INTERLOCK ADAPTER	2	
20	C23-2306	RELIEF ADAPTER	1	
21	50-4027-1	SOLENOID VALVE	1	

DOCUMENT NO.	18-1142	SCALE	---	UNIT	---
PART NO.	18-1142	DESIGNED BY	MAN		
		DATE	23/05/12		
DRAWING OR PART NAME	THERMOBLOCK EXPLODE	DRAWN BY	MAN		
		DATE	23/05/12		
MATERIAL	----	CHECKED BY	CALVIN		
		DATE	23/05/12		
FINISH	----	APPROVED BY	CALVIN		
		DATE	23/05/12		
FILE DIR.	18-1142_00_120523				



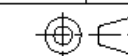
G.E.W. Corporation LTD.



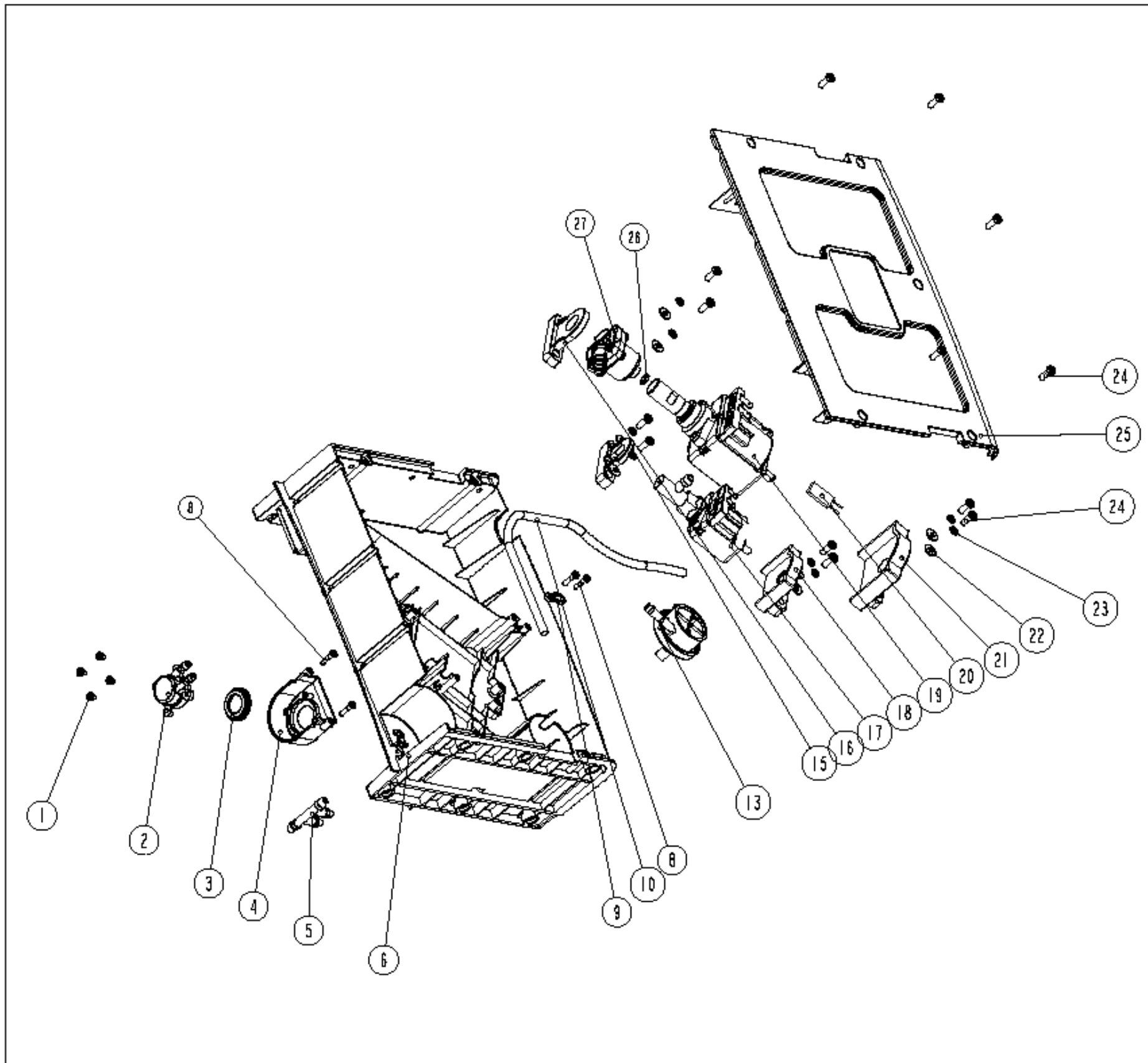
TOLERANCE UNLESS						
Dimension	0	0-25	25-50	50-100	100-200	200-300
Tolerance	±0.08	±0.1	±0.12	±0.15	±0.2	±0.3
ANGLE TOLERANCE ±2.0°						
REVISION						
Work	Description	Initiated by	Approved by	Date		
01	TODLING RELEASE			23/05/12		

ITEM	PART NO	PART NAME	QTY	RE MARK
1	C3-8012	WATER TANK VALVE	1	
2	45-6099	O RING	1	
3	38-5068-1	SPRING	1	
4	C3-4025	WATER TANK	1	
5	45-8008	O RING	1	
6	C3-9015	SENSOR COVER	1	
7	C3-9013	SENSOR BOX	1	
8	C23-8057	MAGNET FERRITE	1	
9	C3-8003-003	FILTER BODY	1	
10	C3-9012	SENSOR BOX COVER	1	
11	00-3458B	FILTER CATION	1	
12	C3-8031	UPPER FILTER COVER	1	
13	38-1032	SPRING	1	
14	31-1359	SCREW	4	
15	C3-4027G79	HANDLE HOBER	1	
16	38-1033	SPRING	1	
17	C3-4028G79	TANK HANDLE	1	
18	C23-23D1	HANDLE WRAP	1	
19	C23-23D0	TANK WRAP	1	

DOCUMENT NO.	18-1143	SCALE	---	UNIT	---
PART NO.	18-1143	DESIGNED BY	NAM		
		DATE	23/05/12		
DRAWING OR PART NAME	WATER TANK EXPLODE	DRAWN BY	NAM		
		DATE	23/05/12		
MATERIAL	---	CHECKED BY	CALVIN		
		DATE	23/05/12		
FINISH	----	APPROVED BY	CALVIN		
		DATE	23/05/12		
FILE DIR.	18-1143.00.120523				

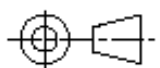


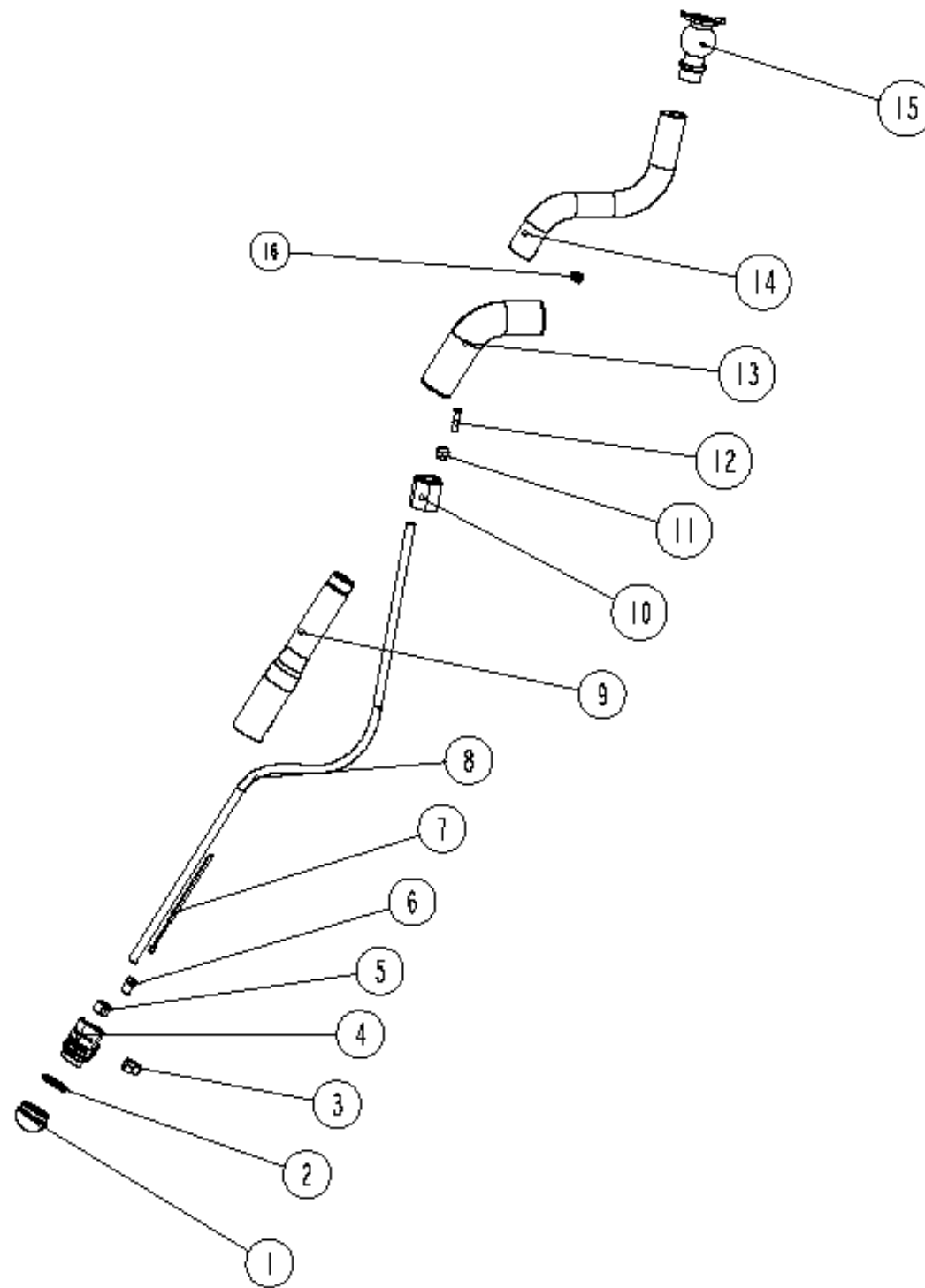
G.E.W. Corporation LTD.



TOLERANCE UNLESS							
Dimension	0-8	8-25	25-50	50-100	100-200	200-300	300-
Tolerance	±0.08	±0.1	±0.12	±0.15	±0.2	±0.3	±0.4
ANGLE TOLERANCE ±2.0°							
REVISION							
Mark	Description	Initiated by	Approved by	Date			
△	TOOLING RELEASE			23/05/12			

ITEM	PART NO	PART NAME	QTY	RE MARK
1	31-3001	SCREW	4	
2	C3-802DVEG79	TANK VALVE	1	
3	45-6129	TANK VALVE SEAL	1	
4	C3-4018679	TANK VALVE HOLDER	1	
5	C3-9016VF	3 WAY TUBE	1	
6	C3-5037670	BOTTOM BASE	1	
8	31-1002	SCREW	4	
9	C3-2112	CABLE CLAMP	1	
10	42-4089BK-ID-LF	POWER CORD	1	
13	50-4002	FLOW METER	1	
15	45-1008	STEAM PAD FRONT	1	
16	45-1005	COFFEE PAD FRONT	1	
17	50-4007-4	STEAM PUMP	1	
18	45-1004	STEAM PAD REAR	1	
19	50-4003	COFFEE PUMP	1	
20	56-9017	THERMOSTAT	1	
21	45-1006	COFFEE PAD REAR	1	
22	34-1051	WASHER	8	
23	34-2014	SPRING WASHER	8	
24	31-3025	SCREW	13	
25	C3-5038679	BASE COVER	1	
26	45-6177	G RING	1	
27	18-1146	NOISE DAMPER ASSY	1	

DOCUMENT NO.	18-1144	SCALE	----	UNIT	---
PART NO.	18-1144	DESIGNED BY	NAM		
		DATE	23/05/12		
DRAWING OR PART NAME	BOTTOM BASE EXPLODE	DRAWN BY	NAM		
		DATE	23/05/12		
MATERIAL	---	CHECKED BY	CALVIN		
		DATE	23/05/12		
FINISH	----	APPROVED BY	NAM		
		DATE	23/05/12		
FILE DIR.	18-1144-00-120523				
		 G.E.W. Corporation LTD.			



TOLERANCE UNLESS							
Dimension	~4	8-25	25-51	51-106	101-200	200-300	301-
Tolerance	±0.08	±0.1	±0.12	±0.15	±0.2	±0.3	±0.4
ANGLE TOLERANCE ±2.0°							
REVISION							
Wrt	Description	Initiated by	Approved by	Date			
	INITIAL RELEASE			23/05/12			

ITEM	PART NO.	PART NAME	QTY.	REMARK
1	C23-1153-SS	STEAM NOZZLE	1	
2	45-6361	O RING	1	
3	C23-1154-SS	SENSOR CAP	1	
4	45-6340	SENSOR WRAP	1	
5	C23-9030VB	SLIPCOVER	1	
6	45-6341	SENSOR RUBBER	1	
7	130-02780-25	STEAM NTC	1	
8	81-1007-320	TEFLON TUBE	1	
9	C23-1155-SS	STEAM ARM LOWER	1	
10	C23-1119	NB NUT	1	
11	C23-6015VB	SLEEVE	1	
12	C23-2011-LFGB	EYELET	2	
13	45-6031	STEAM PROTECTOR	1	
14	C23-1201-CP	STEAM ARM TUBE	1	
15	C23-1205-CP	BALL JOINT	1	
16	31-4032	HEXAGON SCREW M4x5	1	

DOCUMENT NO.	18-1145	SCALE	---	UNIT	---
PART NO.	18-1145	DESIGNED BY	NAM		
		DATE	23/05/12		
DRAWING OR PART NAME	STEAM ARM EXPLODE	DRAWN BY	NAM		
		DATE	23/05/12		
MATERIAL	----	CHECKED BY	CALVIN		
		DATE	23/05/12		
FINISH	----	APPROVED BY	CALVIN		
		DATE	23/05/12		
FILE DIR.	18-1145_00_120523				
		G.E. Corporation LTD.			